

SPECIFICATIONS

Mechanical

Durability: 5000 Cycles

Electrical

Current Rating: 0.5A

Contact Resistance: 80mΩ max.

Dielectric Withstanding Voltage: 125 V AC/1 min.

Insulation Resistance: 250MΩ min.

Physical

Housing: Thermoplastic, UL 94V-0 rated in Black Color

Contact: Copper alloy

Plating: See "ORDERING INFORMATION"

Operating Temperature: -40 to + 85

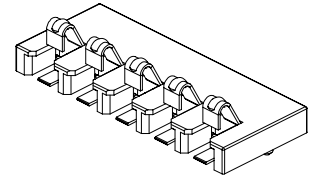
WB Series

Battery, SMT Type

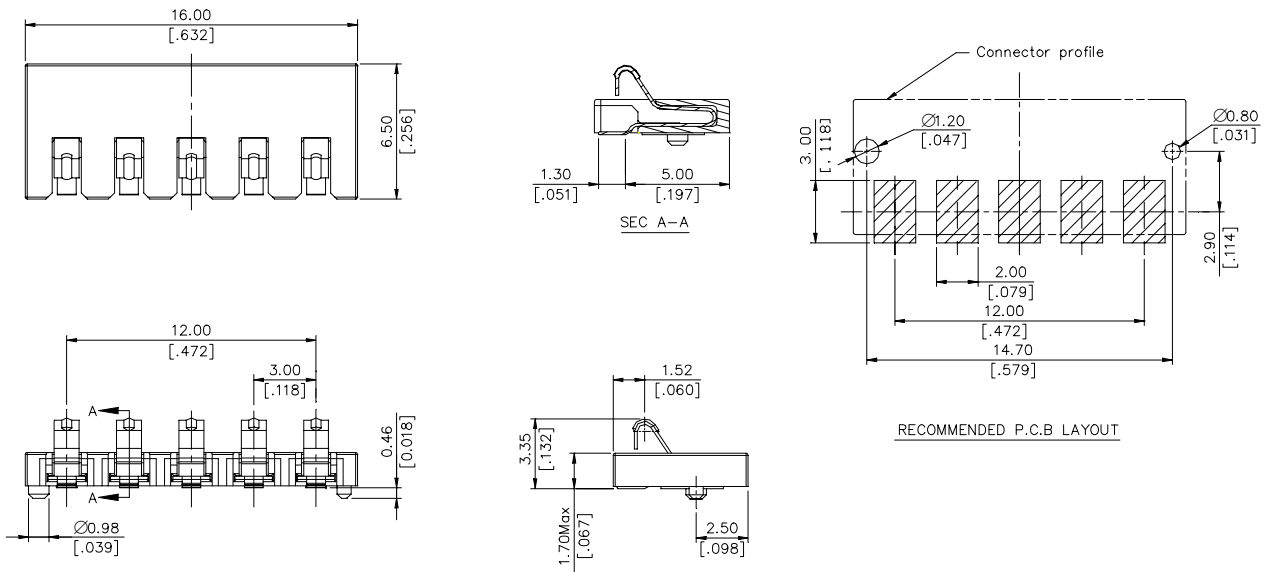
3.00mm [.118"] Pitch

3.35mm Height

5 Pos.



DRAWING



ORDERING INFORMATION

PRODUCT NO.: WB 1 2 5 6 3-3001 TR

BTB or Battery Conn.

Connector Type

1=Male

Body & Termination Type

2=S/T, SMT

No. of Pos.

5=5 Pos.

Package Type

TR=Tape and Reel

Extension Code

Contact Plating

3=30μ" Gold

Contact Pitch

6=2.0 to 3.0 mm