

GEH5948 INSTALLATION INSTRUCTIONS

# Enclosure Wall Mounting

## Raintight Safety Switches



Hazards of electrical shock or burn! Turn off power before working inside this equipment.

**Use with:**  
800/1200A

**Description:**

The size and weight of these safety switches demand adequate support. Be sure all six mounting holes are utilized. Weights and mounting dimensions are given in Table 1.

**Installation**

Step1: Lifting plates are provided and are assembled to the outside of the enclosure near the top end wall as shown in Fig.1.

Step 2: Remove the two enclosure mounting plates from the enclosure and reassemble to the outside of the rear wall, one at top and one at bottom, using the same screws, washers and nuts. Key-slotted holes are on 12.00 inch centers. Use 3/8 inch diameter bolts (not provided) to mount enclosure to wall. See Fig .1 and Table 1.

Note: The rainproof integrity requires that the fastening hardware for the mounting plates be replaced after installation to close all open holes above live parts.

Tightening Torque for fuse installation:  
275-350 lbs-in.

Table 1

Switch Enclosure Dimensions and Weights						
Catalog Number	Ampere Rating (Max.)	Dimensions (Inch)				Weight (Lbs)
		W	H	D	C	
TC72267R TC72367R	800	41-3/4	62	11-1/2	61-1/2	375
TC72268R TC72368R	1200	47-1/2	77	12-1/2	76-1/2	530

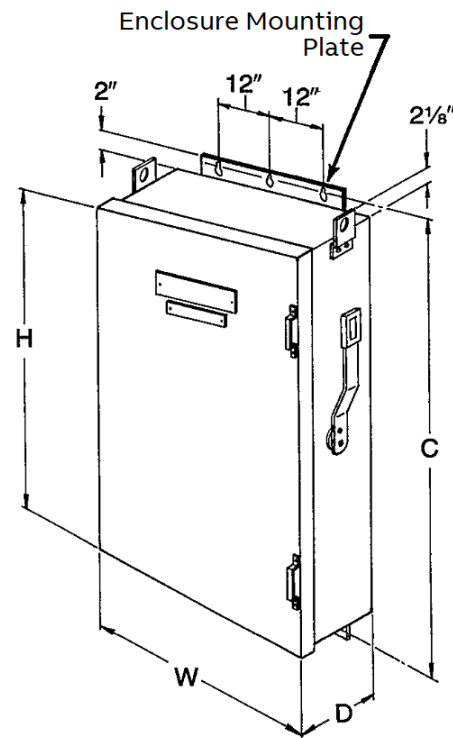


Figure 1