

# SIEMENS

## Replacing of spare coils for Capacitor Duty Contactor

Replacing solenoid coil for 3MT70002. & 3MT70005.

### Operating Instructions

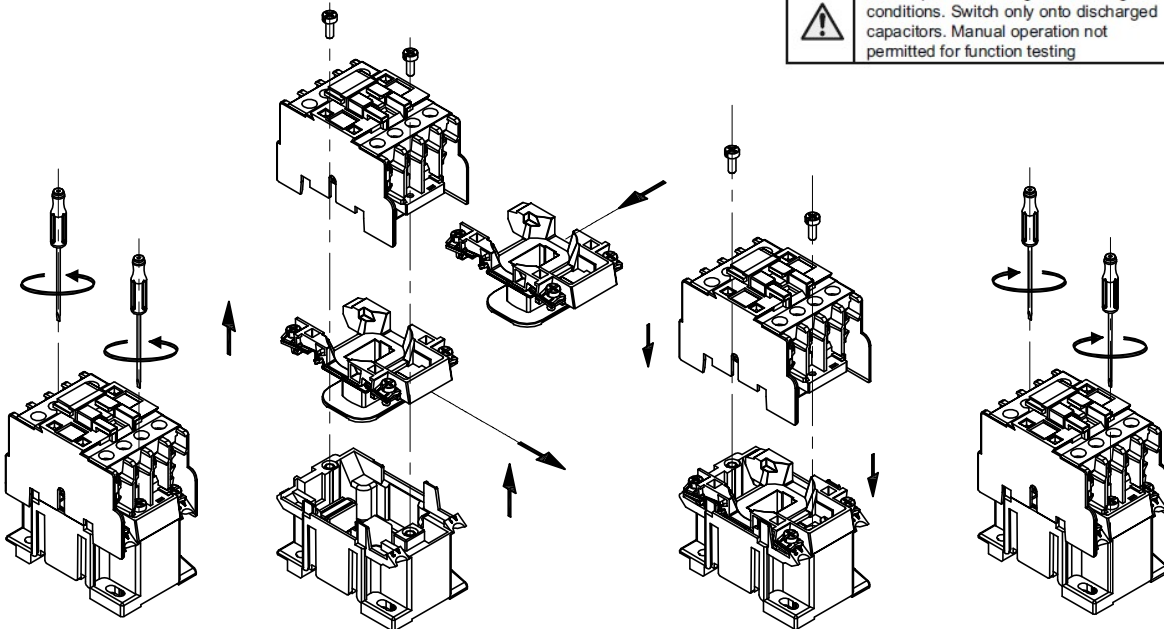


#### Warning:

**Hazardous Voltage can cause Electric Shock and burns.**  
Disconnect Power before proceeding with any work on this equipment.

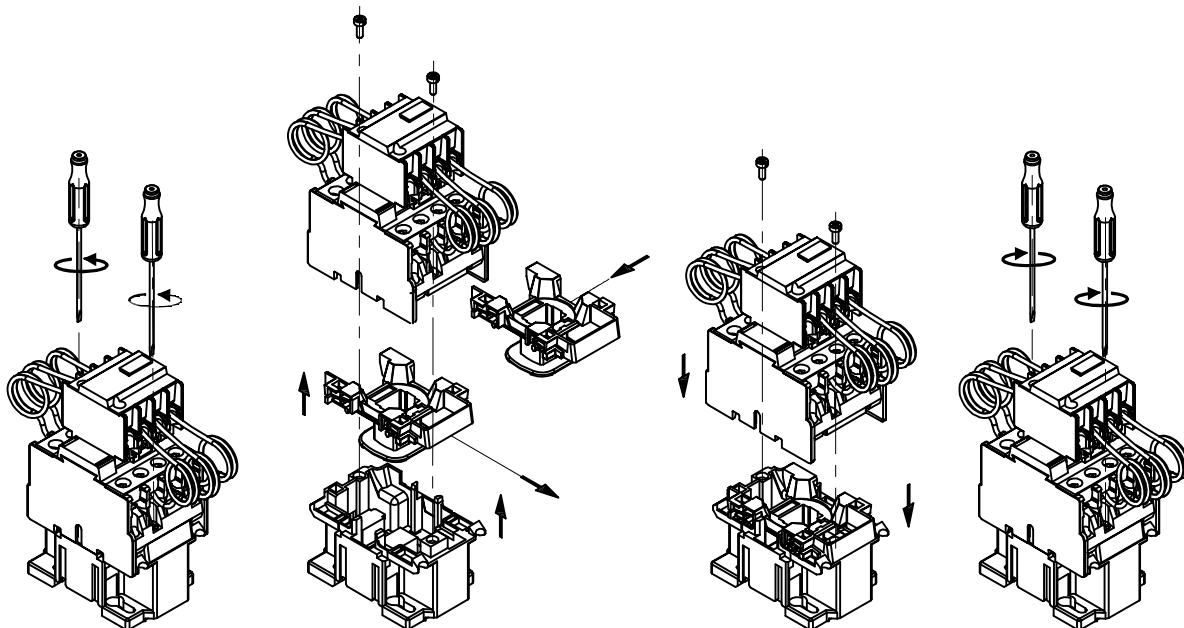


Avoid operation during under voltage conditions. Switch only onto discharged capacitors. Manual operation not permitted for function testing



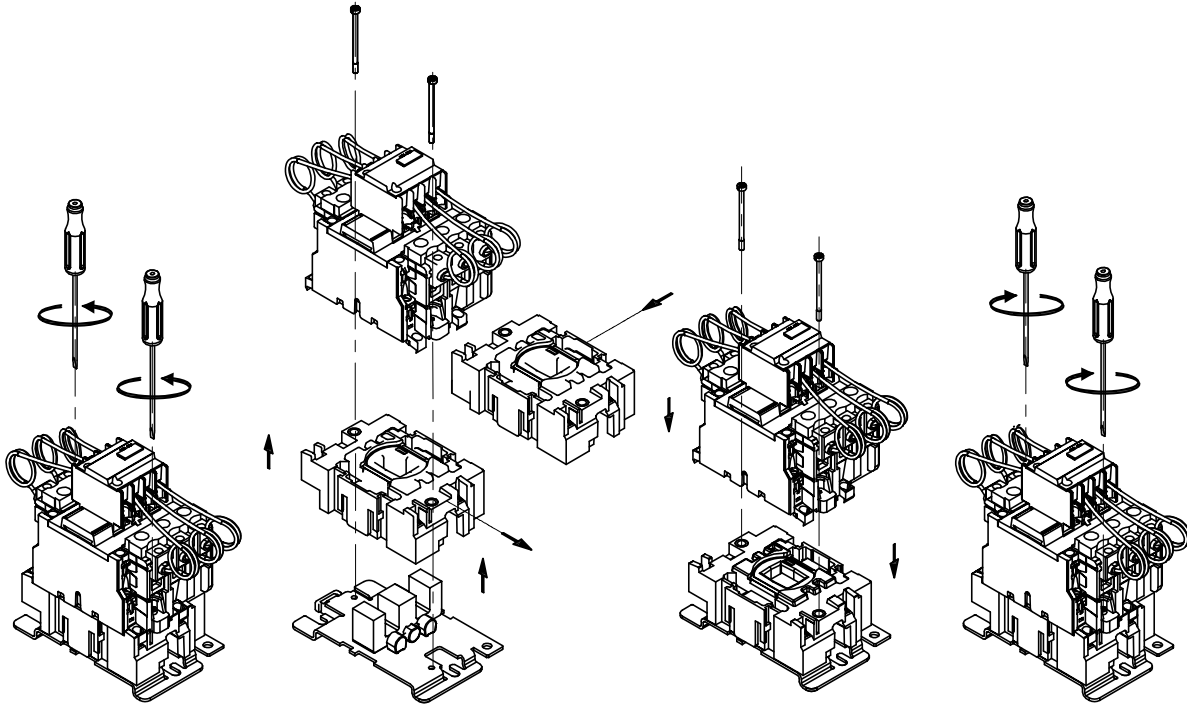
- 1) Use the screw driver to unscrew the base (bottom) & archood (top) cover of the contactor.
- 2) Take archood of the contactor assembly apart.
- 3) Take out the solenoid coil from base of the contactor assembly apart.
- 4) Insert the new solenoid coil. In doing so, make sure that the spring between solenoid coil and archood of the contactor properly located on the support.
- 5) Assemble the base and archood of the contactor by tightening the screw with 1 N-m torque.

Replacing solenoid coil for 3MT70007. to 3MT70025.



- 1) Use the screw driver to unscrew the base (bottom) & archood (top) cover of the contactor.
- 2) Take archood of the contactor assembly apart.
- 3) Take out the solenoid coil from base of the contactor assembly apart.
- 4) Insert the new solenoid coil. In doing so, make sure that the spring between solenoid coil and archood of the contactor properly located on the support.
- 5) Assemble the base and archood of the contactor by tightening the screw with 1 N-m torque.

## Replacing solenoid coil for 3MT70033. to 3MT70075.



- 1) Use the screw driver to unscrew the base (bottom) & archood (top) cover of the contactor.
- 2) Take archood of the contactor assembly apart.
- 3) Take out the solenoid coil from base of the contactor assembly apart.
- 4) Insert the new solenoid coil. In doing so, make sure that the spring between solenoid coil and archood of the contactor properly located on the support.
- 5) Assemble the base and archood of the contactor by tightening the screw with 1 N-m torque.

### Disposal

Siemens product are environment friendly, which predominantly consist of recyclable materials

For disposal we recommend disassembling and separation into following materials:

**METALS:** Segregate into Ferrous & Non Ferrous types for recycling through authorised dealer.

**PLASTICS:** Segregate as per material type for recycling through authorised dealer. Because of the long lifetime of Siemens products the disposal guidelines may be replaced by other national regulations when taking the product out of service.

The local customer care service is available at any time to answer disposal-related questions.

Customer Care Toll free no. 1800 209 0987

Email: [ics.india@siemens.com](mailto:ics.india@siemens.com)

Order No. MISC4565\_B

**Siemens Ltd.**

Product development is a continuous process. Consequently the data indicated in this Leaflet is subject to change without prior notice. For latest issue contact our sales offices.

Last update: 05 April 2021