



ADVANCED AND EVER ADVANCING MITSUBISHI ELECTRIC

PROGRAMMABLE CONTROLLERS

MELSEC-F

A large, bold, black, stylized "FX" logo. The "F" and "X" are interconnected, with the "X" having a long, thin tail that extends upwards and to the right. The logo is positioned on the left side of the page, partially overlapping a white callout box.

FX-232ADP COMMUNICATION ADAPTER

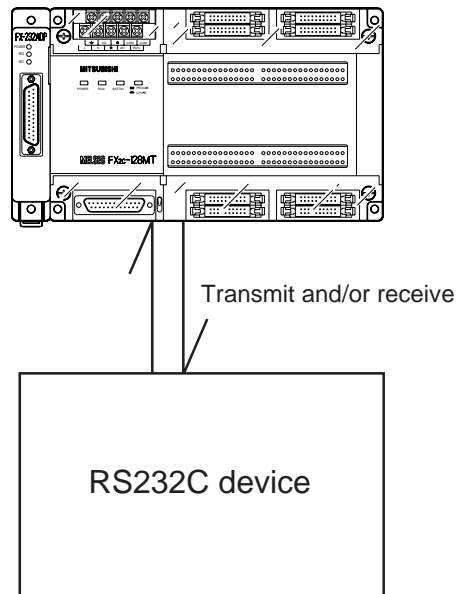
USER'S GUIDE

JY992D48801B

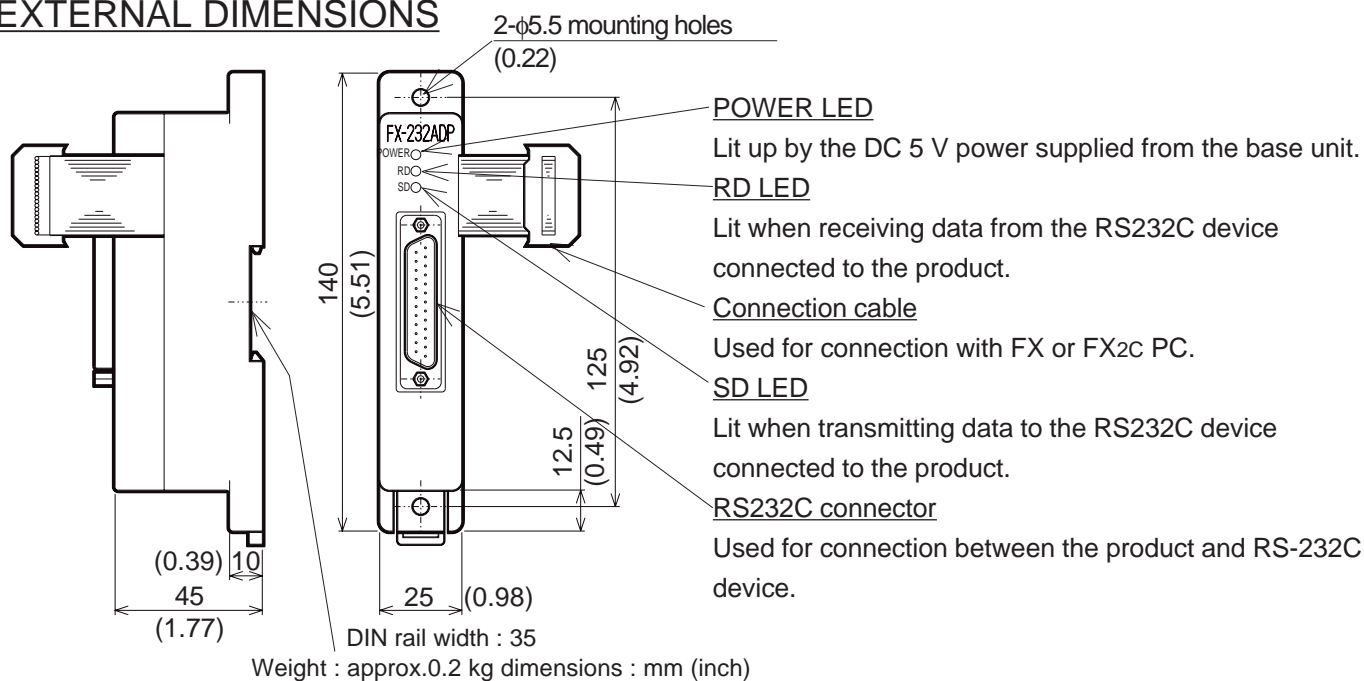
This manual contains text, diagrams and explanations which will guide the reader in the correct installation and operation of the FX-232ADP and should be read and understood before attempting to install or use the unit.

Further information can be found in the FX SERIES PROGRAMMING MANUAL and FX SERIES HARDWARE MANUAL.

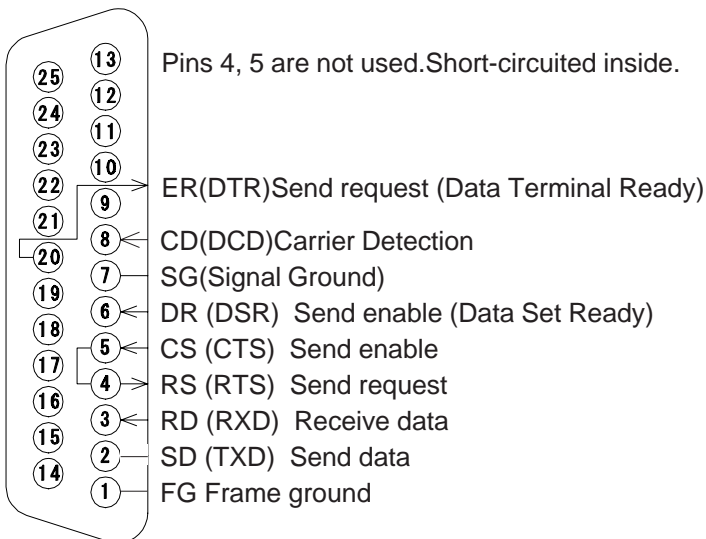
- The FX-232ADP type RS232C adapter (hereinafter called 232ADP) is connected to the FX(V3.07 or later),FX2C series PC to exchange serial data with a personal computer, barcode reader, printer, and other various RS232C devices.
- Only one 232ADP unit can be connected to one base unit to the serial port provided at the left side.
- The buffer size and location are specified by an RS instruction in the PC.
- This product cannot be combined with special adapters such as FX-8AV,FX2-40AP/AW, or the like.



EXTERNAL DIMENSIONS



The connector is a 25-pin D-SUB type, and the pin configuration is as shown below.



Pin No.	Function
1	Frame ground
2	Send data (232ADP to RS232C device)
3	Receive data (RS232C device to 232ADP)
4 • 5	Not used
6	Shows RS232C device is ready to receive
7	Signal ground
8	On when carrier is detected for data reception
20	Signal requesting preparation for data sending to RS232C device.

3**INSTALLATION NOTES AND USAGE**Performance specification

Transmission standard	Conforming to RS232C, 25pin D-SUB, connector used	
Isolation method	Photo coupler isolation	
Transmission distance	15m or less (shielded cable recommended)	
Current consumption	DC 5V 200mA form base unit	
Related flag and data registers	M8121:Send wait flag M8122:Send flag M8123:Receive completion M8124:Carrier detection M8161:8 bits/16 bits changeover	D8120:Communication format D8122:Remainder of send data D8123:Number of received data D8124:Header byte D8125:Terminator byte

General specification

General specifications (excluding following)	Same as those for FX or FX2C base unit	
Dielectric withstand voltage	500V AC 1min	Between 25-pin D-SUB and base unit
Insulation resistance	500V DC, 1M Ω by Megger	unit

- For data transmission to be effective it is necessary to match the communication format between the product and the RS232C device, such as baud rate and parity.

Communication format D8120 (bit mapping)

Bit	Description	0 (OFF)	1 (ON)
b 0	Data length	7bit	8bit
b 1	Parity	(00) : None	
b 2		(01) : Odd	
		(11) : Even	
b 3	Stop	1bit	2bit
b 4	Baud rate (bps)	(0011) : 300	
b 5		(0100) : 600	
b 6		(0101) : 1,200	
b 7		(0110) : 2,400	
		(0111) : 4,800	
		(1000) : 9,600	
		(1001) : 19,200	

Bit	Description	0 (OFF)	1 (ON)
b 8	Header	None	D8124 *1
b 9	Terminator	None	D8125 *2
b10	Not used	---	---
b11	Mode (Control line)	Ordinary mode	Single line mode
b12	Control line	None	H/W
b13	Not used	---	---
b14			
b15			

- *1 The default value is STX (02H: changeable).
- *2 The default value is ETX (03H: changeable).

- The communication format is set by special data register D8120. Setting the communication format using D8120 is effective only at the time the RS instruction is driven, and therefore if changed after driving, it is not actually accepted.

- An example of setting D8120 is shown below.

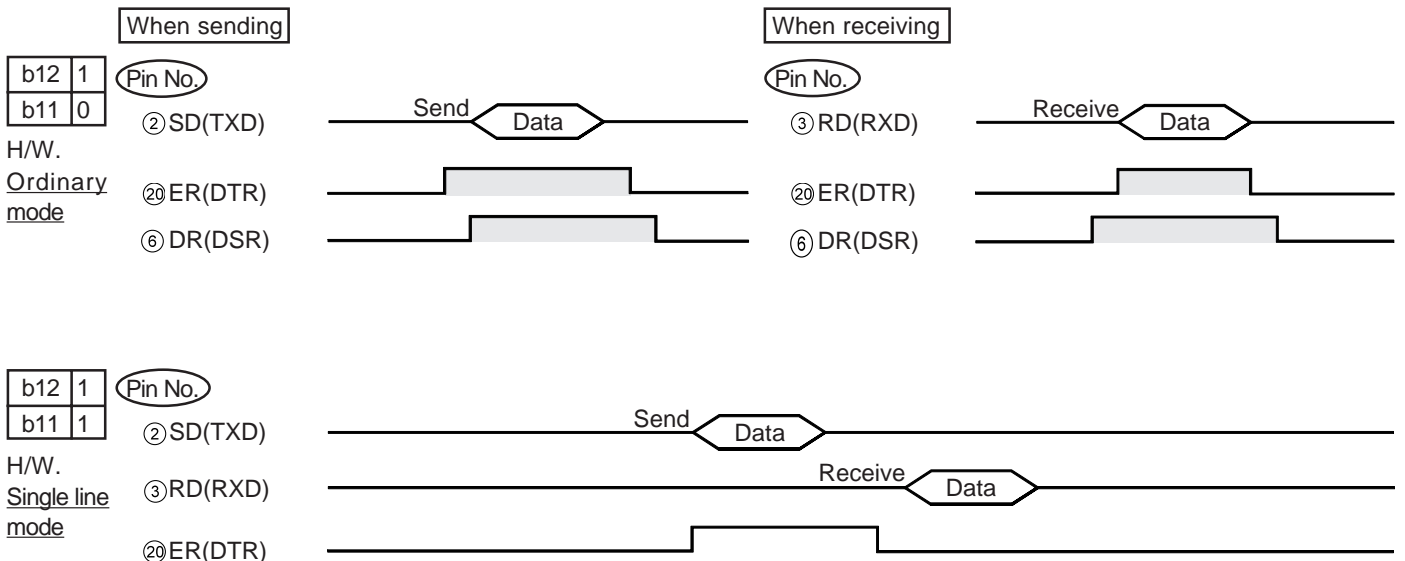


H138F= 0001 0011 1000 1111(binary)

The settings for the above program are as right.

Data length	8 bit
Parity	Even
Stop	2 bit
Baud rate	9,600
Header	Used
Terminator	Used
Control line	H/W
Mode	Ordinary mode

- The control line is set by b12.
 - b12=0 :No hardware hand shaking.Send and receive are controlled by software protocol.
 - b12=1 :Hardware hand shaking.Signal lines ER(DTR)and DR(DSR)are used to control send and receive of data.



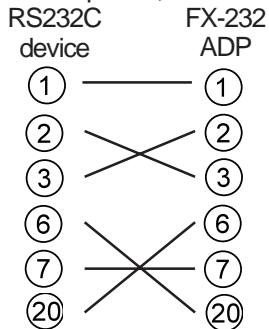
- The connections of RS232C devices varies with each device being used.

Check the specification of the device, and connect.

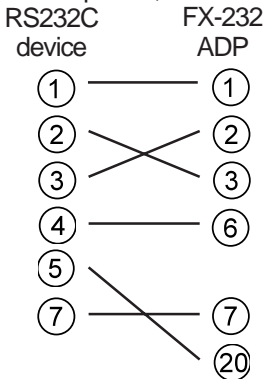
Connection examples

- Terminal specification device

When RS232C device
uses pins 6,20

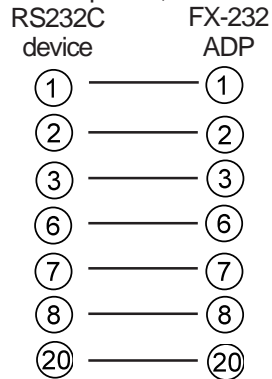


When RS232C device
uses pins 4,5

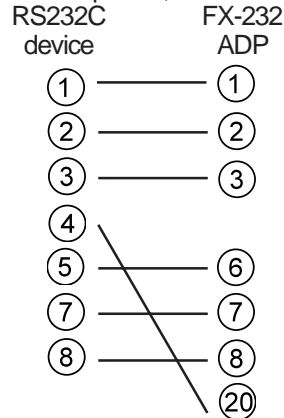


- Modem specification device

When RS232C device
uses pins 6,20

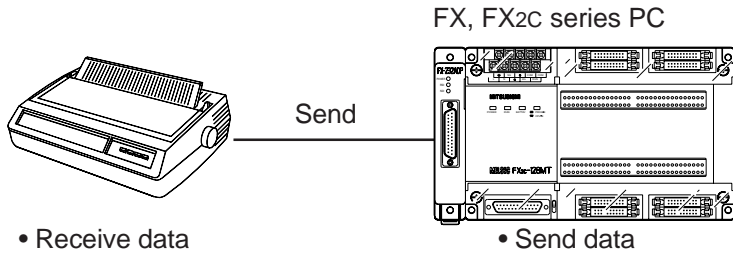


When RS232C device
uses pins 4,5

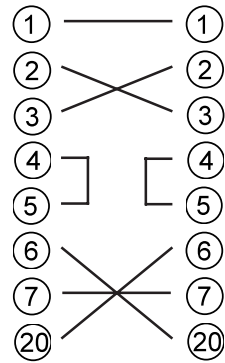


5 PROGRAM EXAMPLES

- Connecting 232ADP and a printer, and printing out the data sent from the PC.



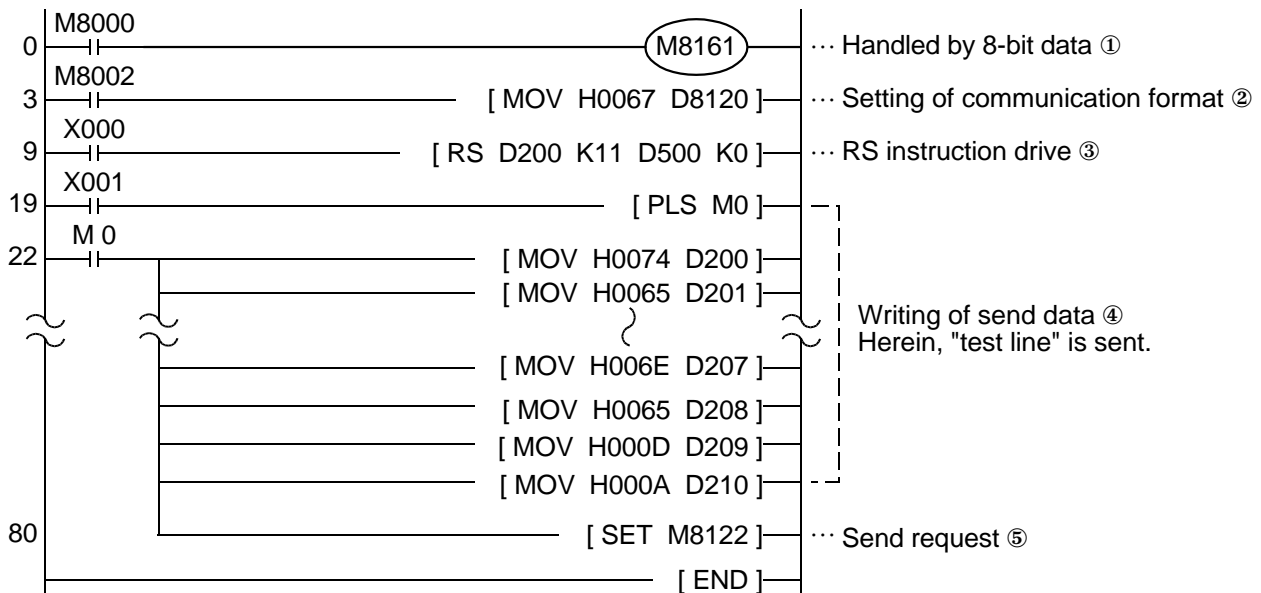
Common pin out for printer communication



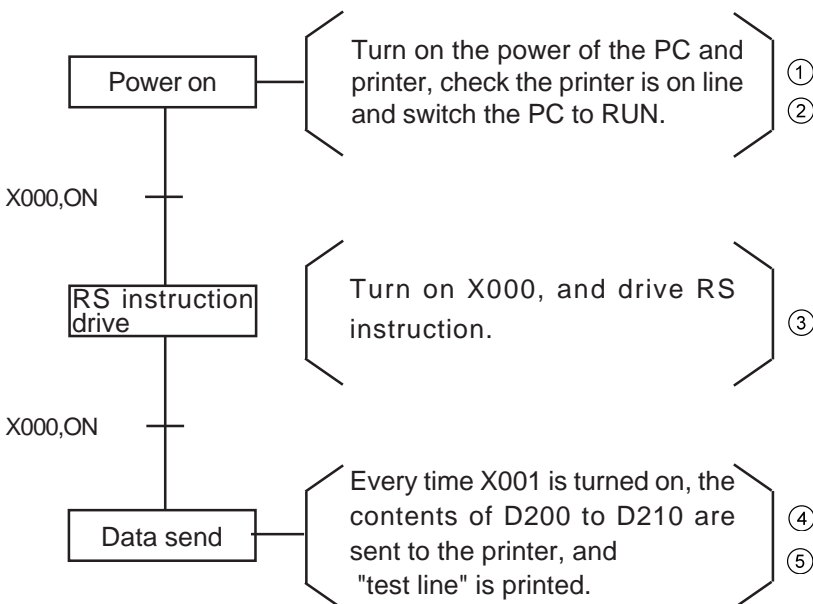
- Receive data
- The communication format of the serial printer is as follows.

Data length	8 bit
Parity	Even
Stop bit	1 bit
Baud rate	2400bps

Sequencer program



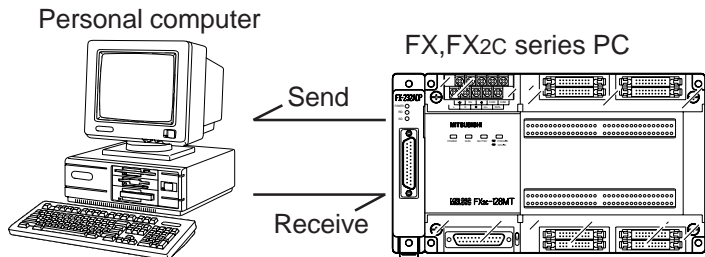
Operation



- In this example, CR (H000D) and LF (H000A) are written at the end of the message. The printer moves down one line for each message.
CR: Carriage Return
LF: Line Feed

Note: It may be necessary to set the DIP switches of your printer. Check your printer manual for how to configure the serial communications.

- Connect 232ADP and a personal computer, and exchange data with the PC.



- Receive data
- Send data

- Send data
- Receive data

- Use the communication cable suited to the connector pin configuration of the personal computer.
(For representative wiring see section 4.)

Preparation of software

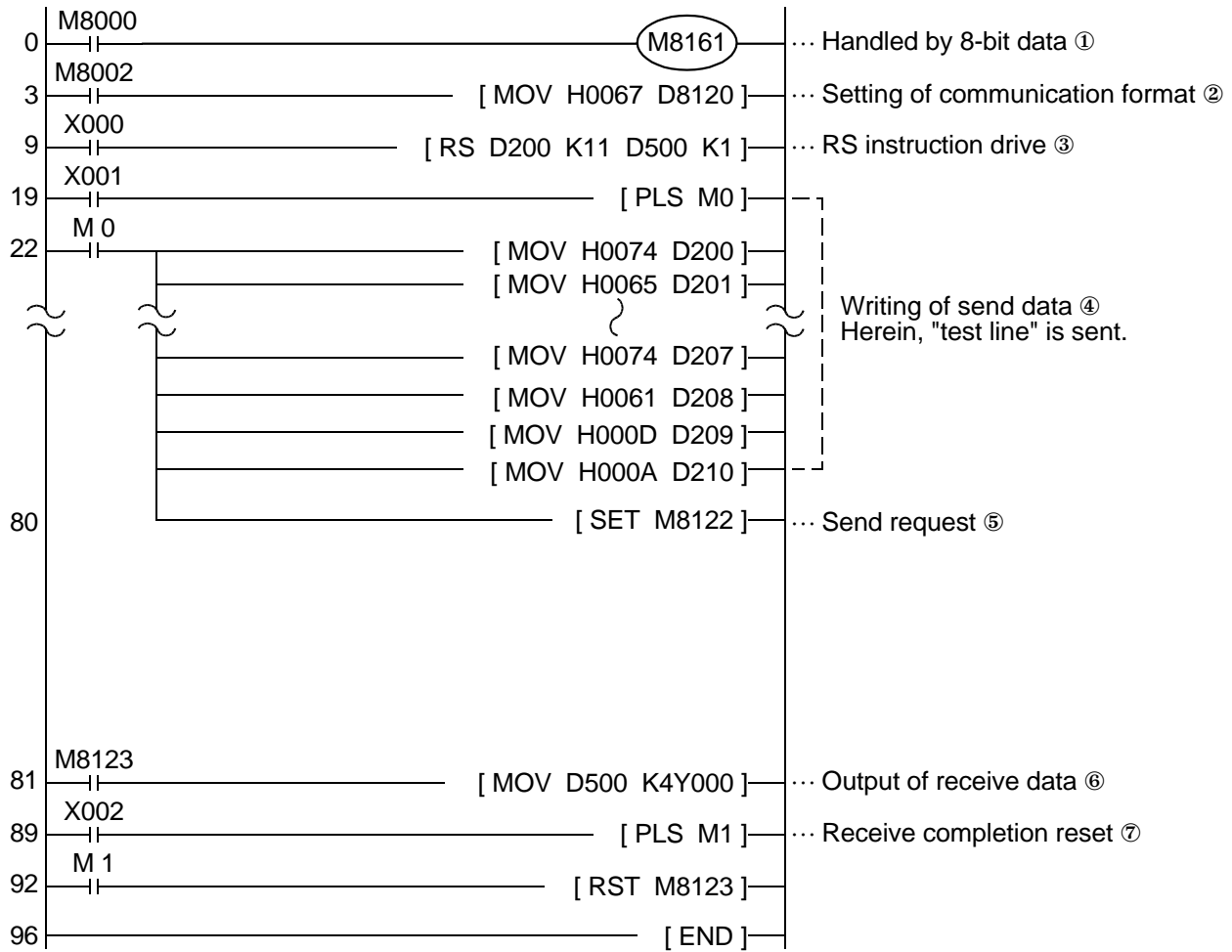
- Use ordinary communication software (terminal emulator) or dedicated program in the personal computer.

The communication format of the PC for this example is as follows.

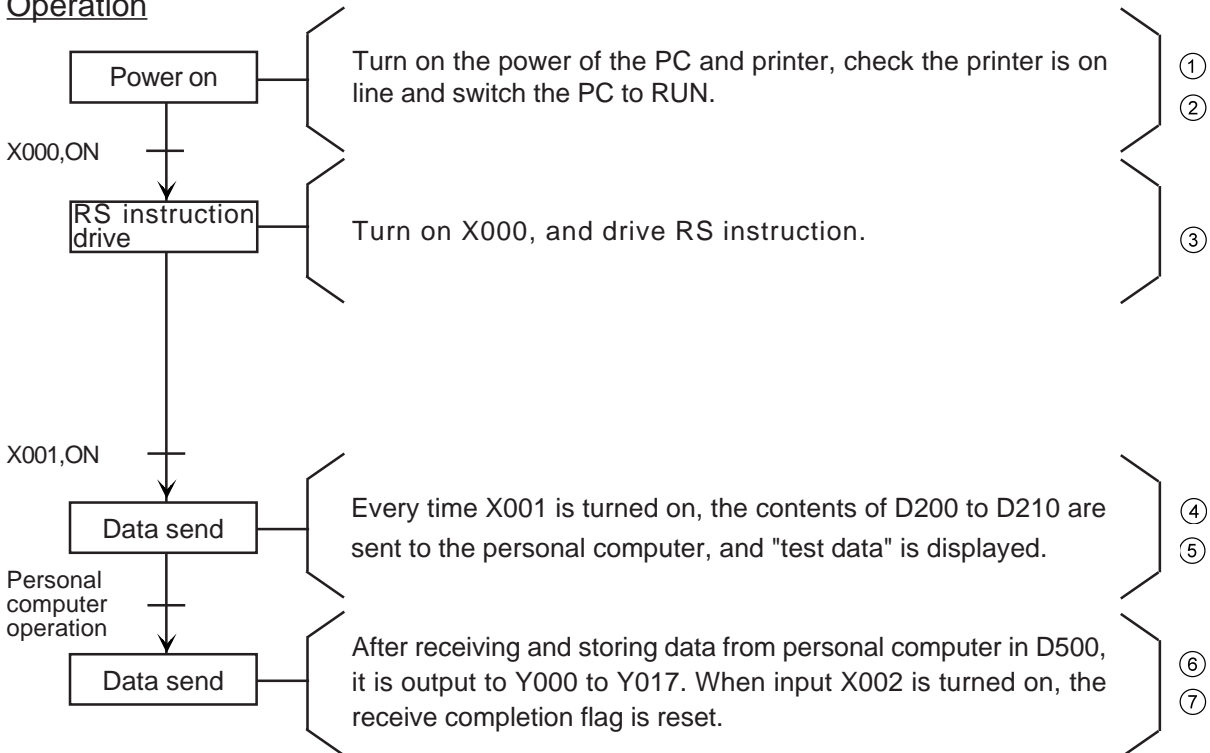
Data length	8 bit
Parity	Even
Stop bit	1 bit
Baud rate	2400

If the communication format of the software cannot be adjusted to this setting, adjust the PC and the software to be the same.

Sequence program

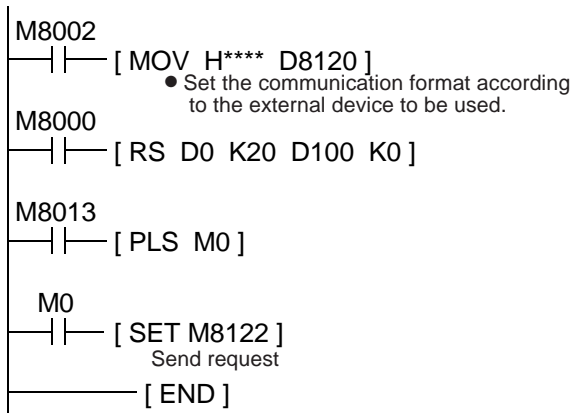


Operation



- If data transfer does not perform correctly when using the 232ADP, check the operation using the following programs.

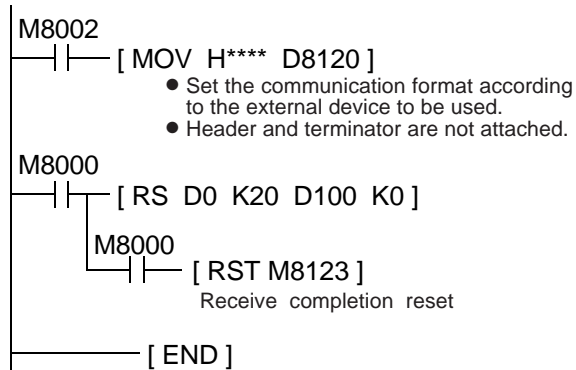
- Program when sending



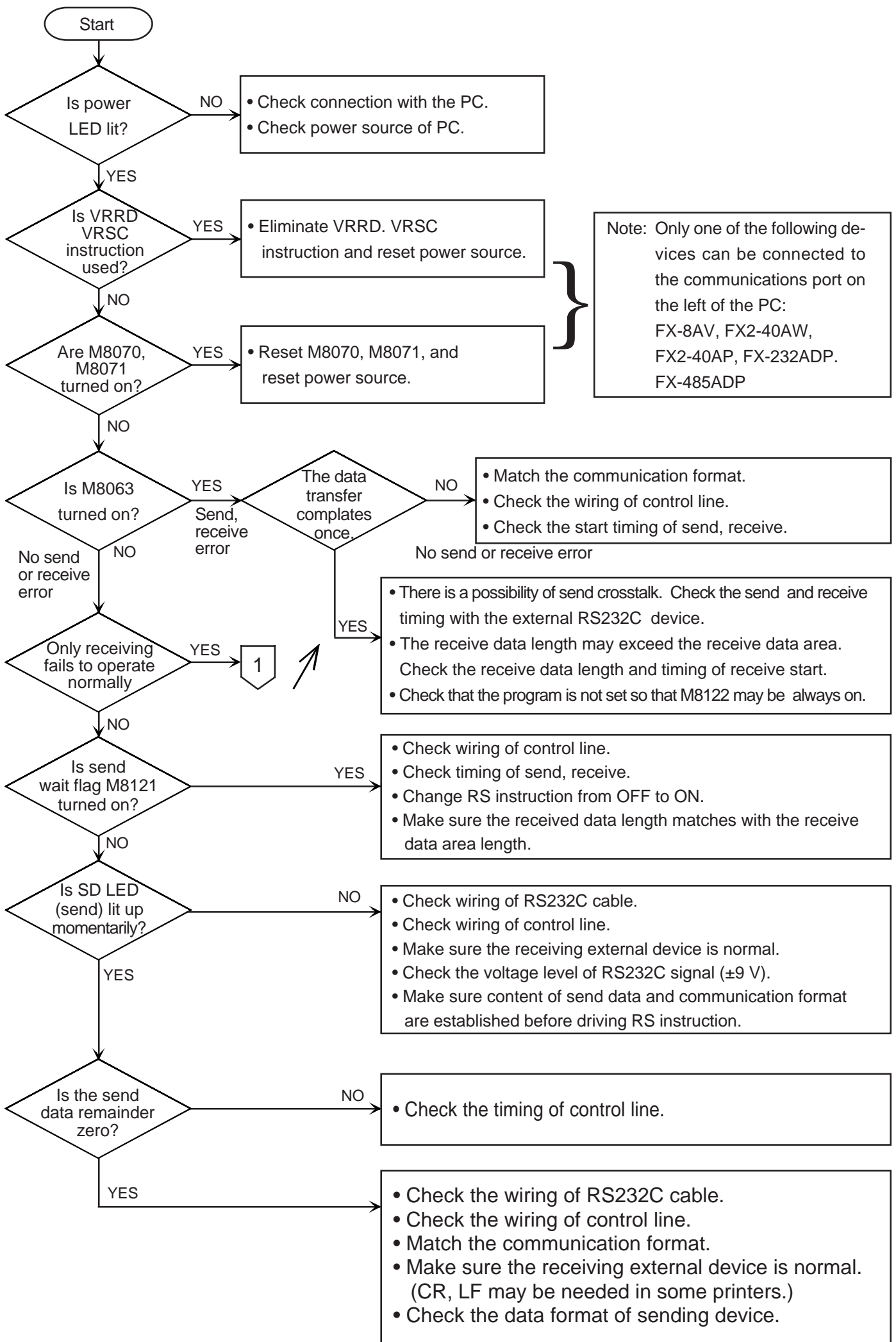
* Write the data to be sent to D 0 to D 19 before operating.

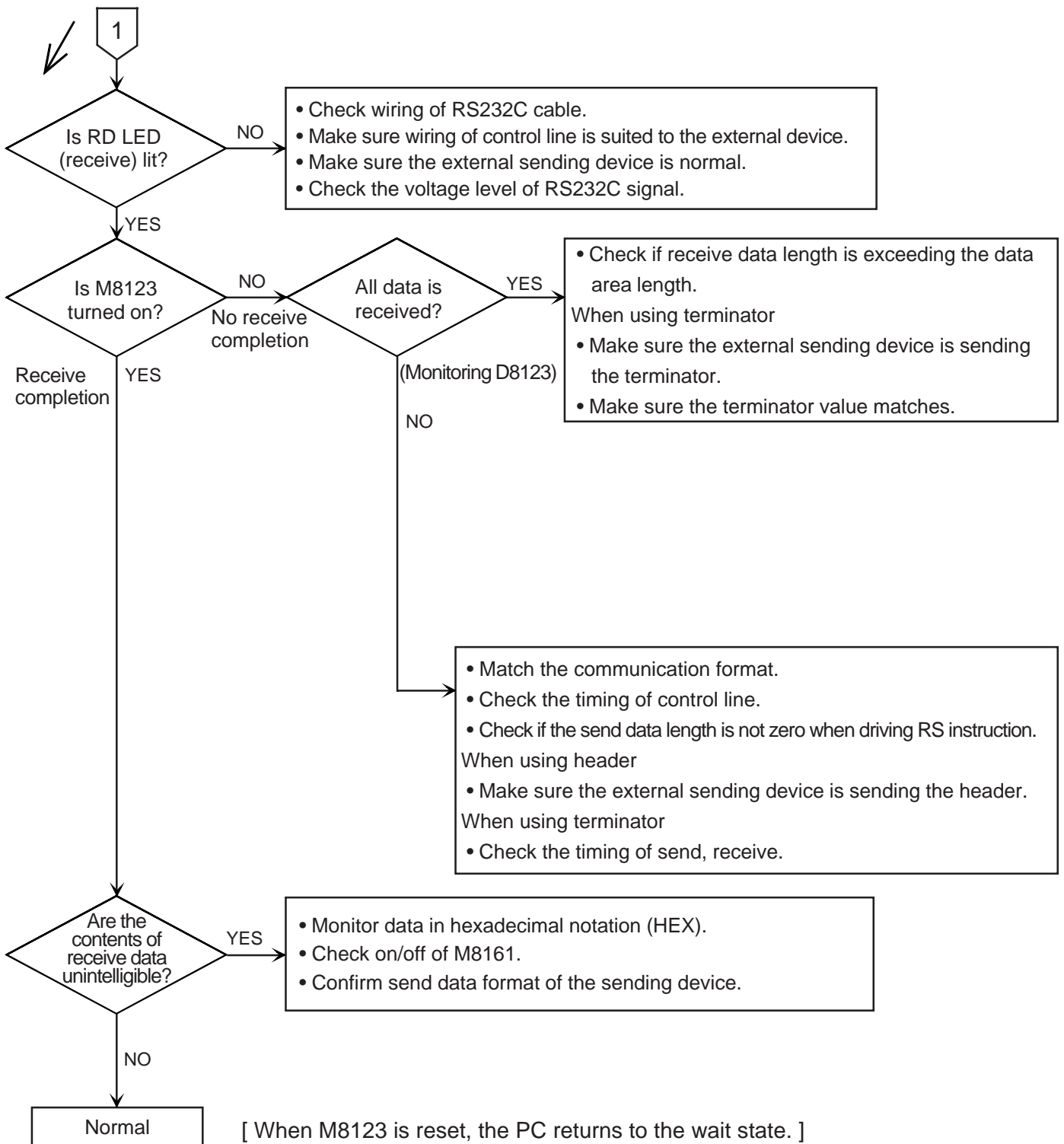
- If sending and receiving using these programs is successful, it is considered that the operation failure was due to sequence program or communication protocol error.

- Program when receiving



- If not operating normally when using these programs, eliminate the cause using the flow diagrams shown following.





Guidelines for the safety of the user and protection of the FX-232ADP

- This manual has been written to be used by trained and competent personnel. This is defined by the European directives for machinery, low voltage and EMC.
- If in doubt at any stage during the installation of the FX-232ADP always consult a professional electrical engineer who is qualified and trained to the local and national standards. If in doubt about the operation or use of the FX-232ADP please consult the nearest Mitsubishi Electric distributor.
- Under no circumstances will Mitsubishi Electric be liable or responsible for any consequential damage that may arise as a result of the installation or use of this equipment.
- All example and diagrams shown in this manual are intended only as an aid to understanding the text, not to guarantee operation. Mitsubishi Electric will accept no responsibility for actual use of the product based on these illustrative examples.
- Owing to the very great variety in possible application of this equipment, you must satisfy yourself as to its suitability for to your specific application.

Manual number : JY992D48801

Manual revision : B

Date : JUNE 1996



HEAD OFFICE: MITSUBISHI DENKI BLDG MARUNOUCHI TOKYO 100 TELEX: J24532 CABLE MELCO TOKYO
HIMEJI WORKS: 840, CHIYODA CHO, HIMEJI, JAPAN