

MiCOM P54x

(P543, P544, P545 & P546)

PSL Signal Grouping Nodes

P54x/EN BN_PSGN/A01

Software Version D1A

Briefing Note

Note

The technical manual for this device gives instructions for its installation, commissioning, and operation. However, the manual cannot cover all conceivable circumstances or include detailed information on all topics. In the event of questions or specific problems, do not take any action without proper authorization. Contact the appropriate Schneider Electric technical sales office and request the necessary information.

Any agreements, commitments, and legal relationships and any obligations on the part of Schneider Electric including settlements of warranties, result solely from the applicable purchase contract, which is not affected by the contents of the technical manual.

This device **MUST NOT** be modified. If any modification is made without the express permission of Schneider Electric, it will invalidate the warranty, and may render the product unsafe.

The Schneider Electric logo and any alternative version thereof are trademarks and service marks of Schneider Electric.

All trade names or trademarks mentioned herein whether registered or not, are the property of their owners.

This manual is provided for informational use only and is subject to change without notice.

© 2014, Schneider Electric. All rights reserved.

PSL SIGNAL GROUPING NODES / DISTURBANCE RECORDER TRIGGER

CHAPTER 1

Date (month/year):	12/2014
Products covered by this chapter:	This chapter covers the specific versions of the MiCOM products listed below. This includes only the following combinations of Software Version and Hardware Suffix. C0115 2ENa
Hardware suffix:	
Software version:	D1A
Connection diagrams:	This includes a list of the Connection Diagrams for the Products covered by this document. 10P54302 (SH 1 to 2) 10P54303 (SH 1 to 2) 10P54400 10P54404 (SH 1 to 2) 10P54405 (SH 1 to 2) 10P54502 (SH 1 to 2) 10P54503 (SH 1 to 2) 10P54600 10P54604 (SH 1 to 2) 10P54605 (SH 1 to 2) 10P54606 (SH 1 to 2) C01720ENa

CONTENTS

Page (BN_PSGN) 1-

1	PSL Signal Grouping Nodes / Disturbance Recorder Trigger	5
----------	---	----------

Notes:

1 PSL SIGNAL GROUPING NODES / DISTURBANCE RECORDER TRIGGER

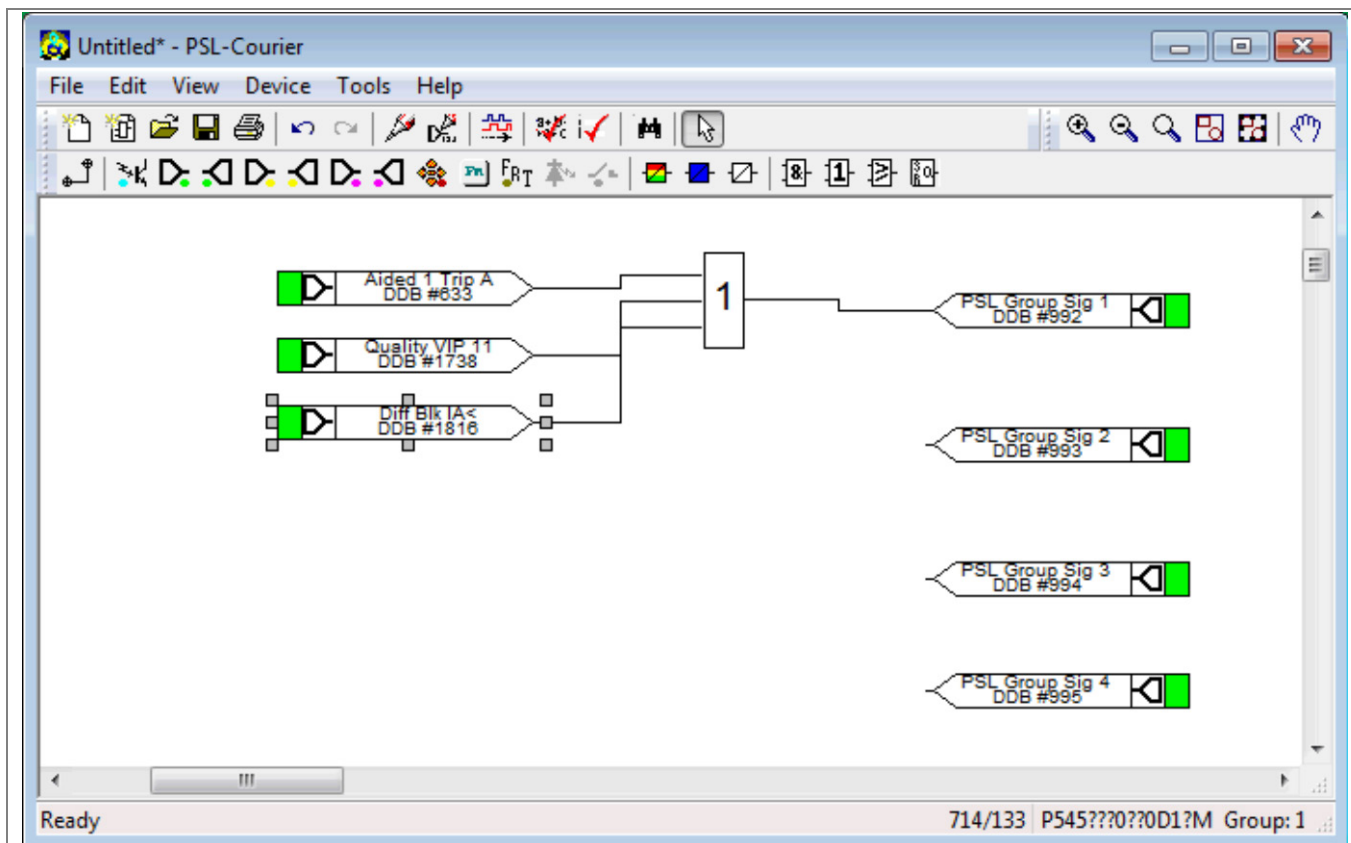
We could not implement this directly, so we have created four additional DDB "Group" Nodes that can be mapped to individual or multiple DDBs in the PSL. These can then be set to trigger the DR via the DISTURBANCE RECORD menu.

These "Nodes" are general and can also be used to group signals together in the PSL for any other reason. These 4 nodes are available in each of the 4 PSL setting groups

Number	PSL Group Sig
992	PSL Group Sig 1
993	PSL Group Sig 2
994	PSL Group Sig 3
995	PSL Group Sig 4

1. For a control input, the DR can be triggered directly by triggering directly from the Individual Control Input (e.g. Low to High change)
2. For an input that cannot be triggered directly, or where any one of a number of DDBs are required to trigger a DR, map the DDBs to the new PSL Group sig n and then trigger the DR on this.

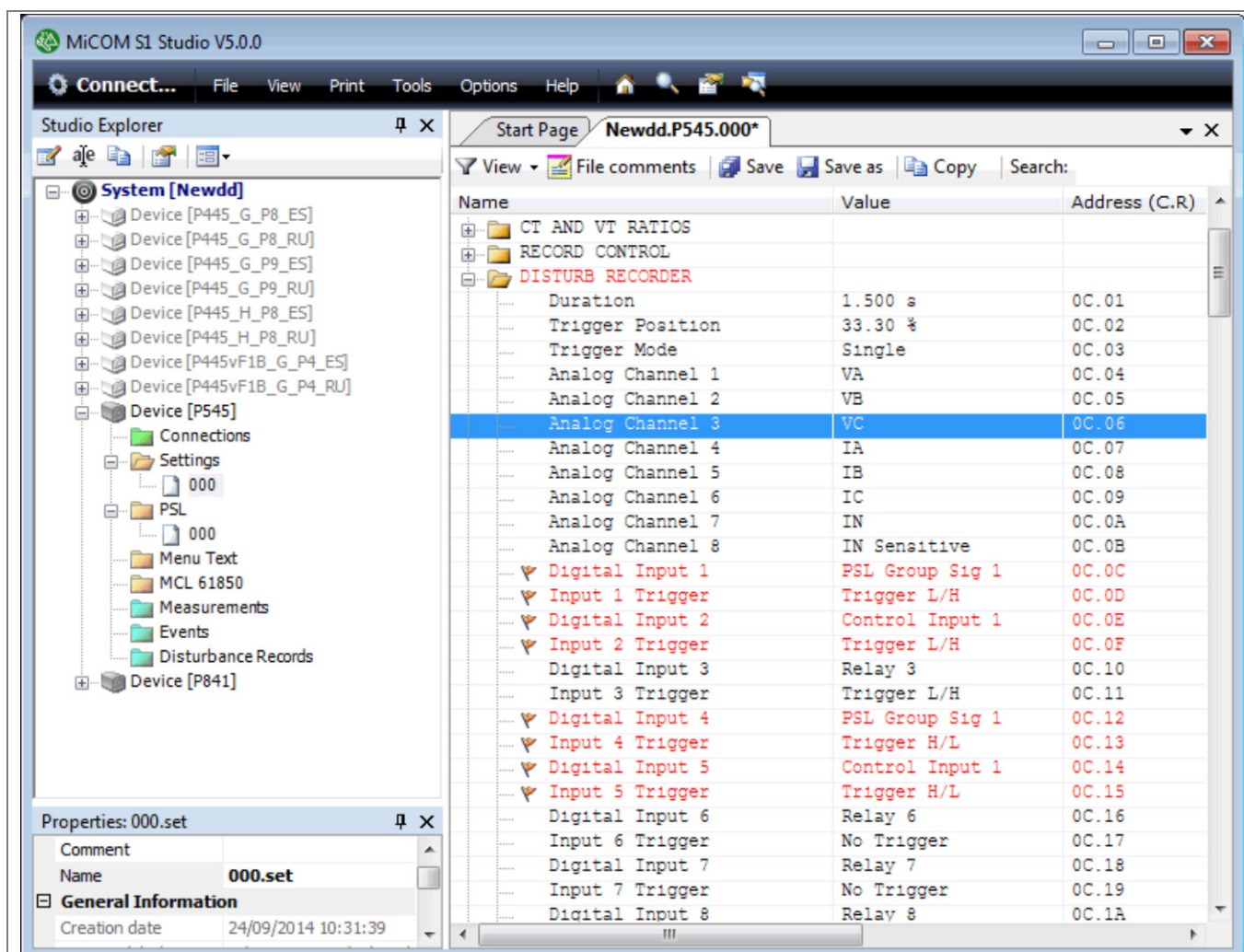
e.g. in the PSL:



In the DR Settings:

Digital Input 1 is triggered by the PSL Group Sig 1 (L to H)

Digital Input 2 is triggered by Control Input 1 (L to H)



If triggering on both edges is required map another DR channel to the H/L as well

Digital Input 4 is triggered by the PSL Group Sig 1 (H to L)

Digital Input 5 is triggered by Control Input 1 (H to L)



Customer Care Centre

<http://www.schneider-electric.com/cc>

Schneider Electric

35 rue Joseph Monier
92506 Rueil-Malmaison
FRANCE

Phone: +33 (0) 1 41 29 70 00

Fax: +33 (0) 1 41 29 71 00

www.schneider-electric.com

Publication: P54x/EN BN_PSGN/A01 Software Version: D1A

Publisher: Schneider Electric

12/2014